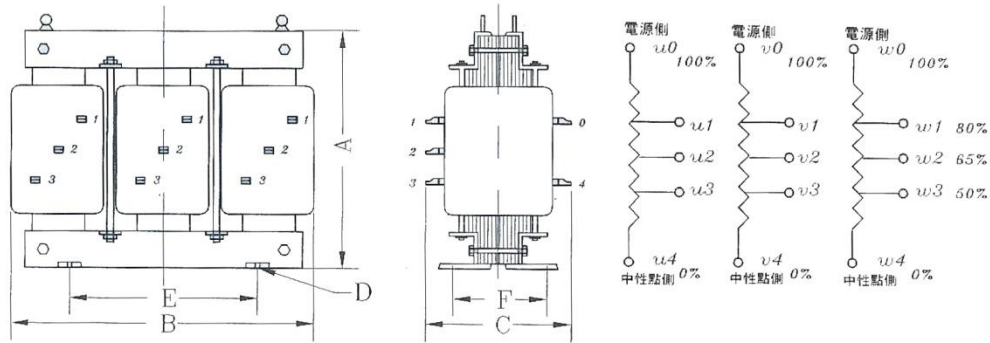


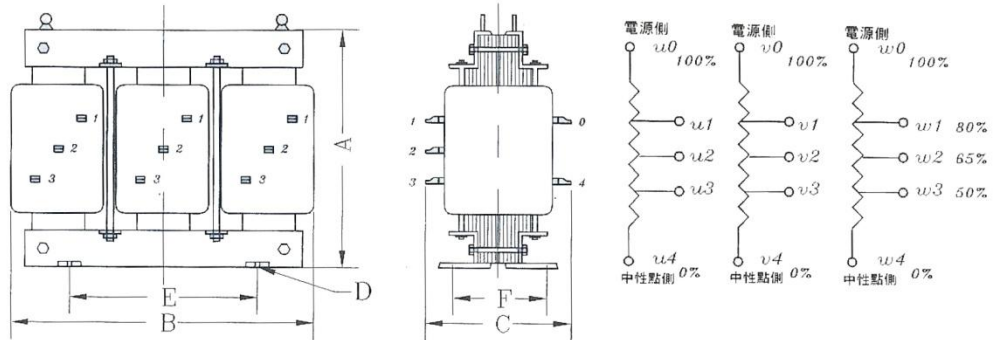
# Starting Compensator



Dimension (mm)

Capacity (HP)	System voltage	Start time (sec)	Frequency (Hz)	A	B	C	D	E	F	Weight (kg)
30	220 380 440	60	60	210	330	250	13	220	150	50
50				250	330	250	13	220	150	60
60				300	370	250	13	250	150	75
75				300	400	260	13	250	150	85
100				300	400	260	13	250	175	95
125				320	400	300	13	250	175	110
150				350	420	320	13	250	200	130
200				425	450	330	13	300	200	170
250				425	500	330	13	300	200	195
300				425	500	340	13	320	200	210
350				425	500	360	13	340	220	250
400				440	500	380	13	340	220	270
500				440	550	380	13	350	240	300
600				440	600	420	13	350	260	330
800				540	600	480	13	400	300	380

# Starting Compensator



Dimension (mm)

Capacity (HP)	System voltage	Start time (sec)	Frequency (Hz)	A	B	C	D	E	F	Weight (kg)	
30	3300	60	60	230	340	250	13	220	150	55	
50				250	340	250	13	220	150	65	
60				320	380	250	13	250	150	80	
75				320	400	280	13	250	150	95	
100				320	420	280	13	250	175	110	
125				340	440	320	13	250	175	130	
150				3450	380	440	340	13	250	200	150
200				3600	440	450	360	13	300	200	185
250				4160	440	500	380	13	300	200	210
300				440	500	400	13	320	200	230	
350				440	520	420	13	340	220	275	
400				460	520	420	13	340	220	300	
500				460	560	440	13	340	240	330	
600				460	620	460	13	360	260	360	
800				560	620	500	13	400	300	420	
1000				560	620	520	13	400	300	450	